

# SBL 41-12HR

## (187w/cell)

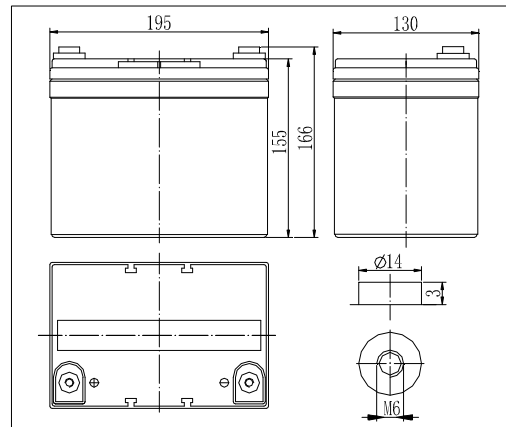
High Performance battery with 10-12 years design life (EUROBAT)

Status: 08-2009

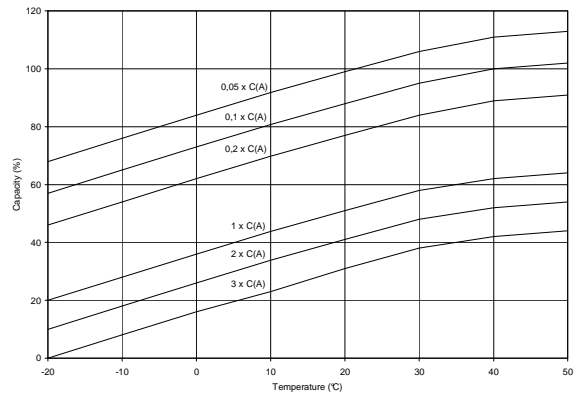
### Specifications

Nominal Voltage		12V
Capacity (25°C@1.60V/C)		187W@10min-rate
Dimensions	Length	195mm (7.68inch)
	Width	130mm (5.12inch)
	Height	159mm (6.26inch)
	Total Height	180mm (7.08inch)
Approx. Weight		10.2kg (22.4lbs)
Maximum charging current		9.9A
Maximum discharge current		330A (5sec.)
Internal resistance (Fully charged, 25°C)		Approx. 9mΩ
Capacity affected by temperature (10hr)	40°C	102%
	25°C	100%
	0°C	85%
	-15°C	65%
Self-discharge (25°C)	3 month	Remaining Capacity: 91%
	6 month	Remaining Capacity: 82%
	12 month	Remaining Capacity: 65%
Nominal operating temperature		25°C ±3°C (77°F±5°F)
Operating temperature range		-15°C ~ 50°C (5°F ~ 122°F)
Float charging voltage (25°C)		13.65 to 13.80V
Cyclic charging voltage (25°C)		14.50 to 14.90V
Absorbent glass mat technology		
ABS (UL94-HB) container		<b>Recognized by UL &amp; CE</b>

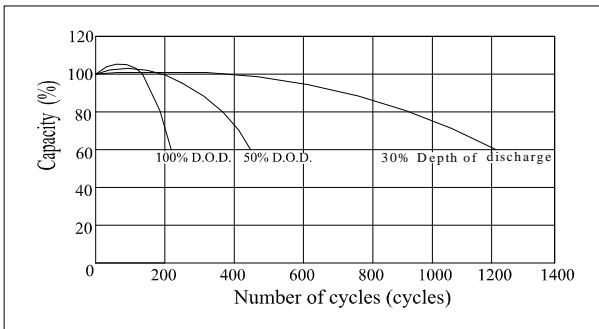
### Dimensions



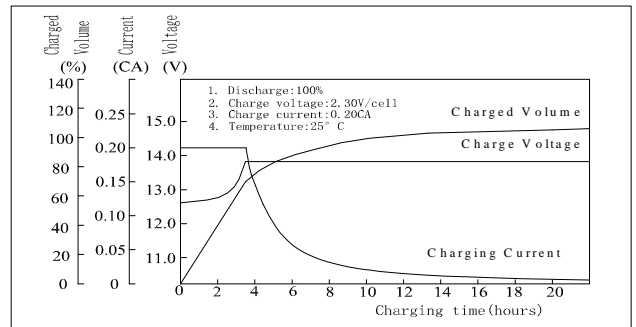
### Temperature Effects in Relation to Battery Capacity



### Cycle Life (25°C)



### Charging Characteristics (25°C)



### Constant Current Discharge Characteristics (Ampere per Battery, 25°C)

F.V./TIME	2min	4min	6min	8min	10min	15min	20min	30min	60min	90min
9.60V	244,38	182,44	142,15	121,51	104,57	77,15	62,18	44,02	23,48	18,73
9.90V	227,77	170,55	132,71	115,12	98,90	73,83	58,55	42,39	22,60	18,08
10.2V	220,67	165,50	128,64	112,35	96,46	72,43	56,99	41,67	22,22	17,76
10.5V	209,17	156,90	124,40	108,15	91,74	69,92	56,13	41,02	22,15	17,53
10.8V	197,68	148,24	120,14	103,89	86,98	67,35	55,23	40,33	22,05	17,34

### Constant Power Discharge Characteristics (Watt per Battery, 25°C)

F.V./TIME	2min	4min	6min	8min	10min	15min	20min	30min	60min	90min
9.60V	2629,63	1963,13	1529,64	1307,60	1123,28	830,24	679,31	481,24	256,71	205,37
9.90V	2451,08	1835,57	1427,66	1238,53	1064,21	794,64	639,83	463,24	247,02	197,42
10.2V	2374,69	1780,92	1383,99	1209,28	1037,85	779,25	622,68	455,41	242,76	193,74
10.5V	2250,78	1688,18	1338,58	1163,49	986,86	752,12	613,31	448,17	241,79	191,81
10.8V	2127,06	1595,06	1292,79	1118,08	935,87	724,80	603,74	440,74	240,44	189,87

All mentioned values are average values.